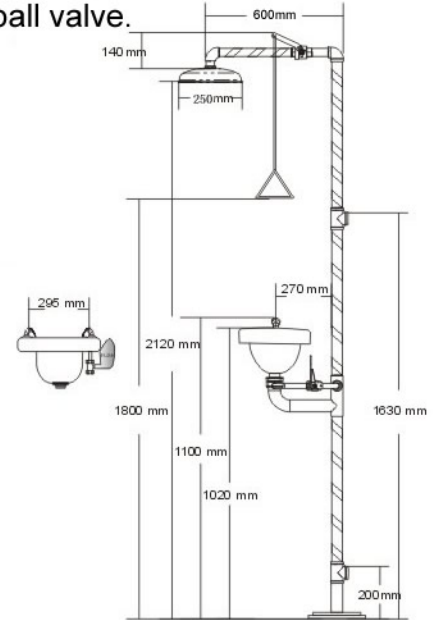


S250



Specification:

1. Shower Head/Bowl: ABS plastic in safety green.
2. Valve: Shower valve is making of 1" stainless steel ball valve.
Eye washer valve is making of 1/2" brass ball valve.
3. Water supply & outlet: 1-1/4" IPS.
4. Water working pressure: 0.2MPA-0.8MPA
5. Flow control: Shower head: 76L/Min
Eyewash: 12L/Min
6. Original water: Clean water or leached water
7. Activation: Shower is activated by pull rod.
Eye washer is activated by flag handle or foot treadle.
8. Package: Carton size: 90X45X28CM
1 set per export carton
G.W.: 19KG N.W.: 18KG



Meets EN15154-1 & 2
ANSI Z358.1